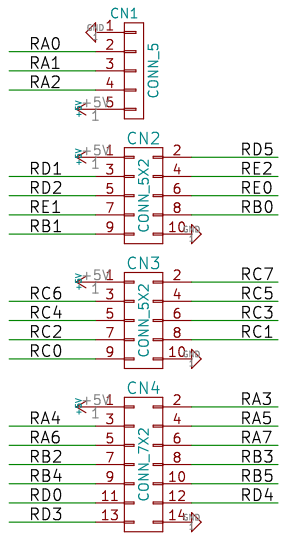


(Ver1.0 RE2)

(Ver1.0)
 LED-G (RB1)
 LED-R (RB2)
 BZ/LATCH (RE0)
 DCM-IN2 (RD2)
 7SEG-R (RD4)

7SEG-g
 7SEG-e
 7SEG-c/SM B+
 7SEG-a/SM A+

(Ver1.0 RB3)
 (Ver1.0 RB5)
 (Ver1.0 RD1)
 (Ver1.0 RE2)

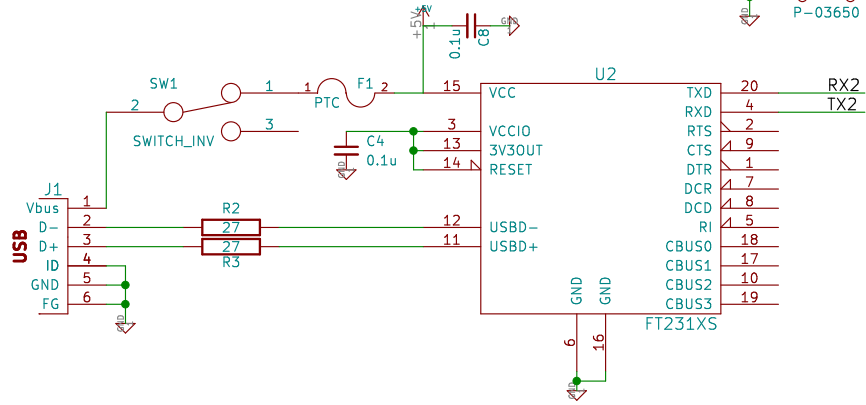
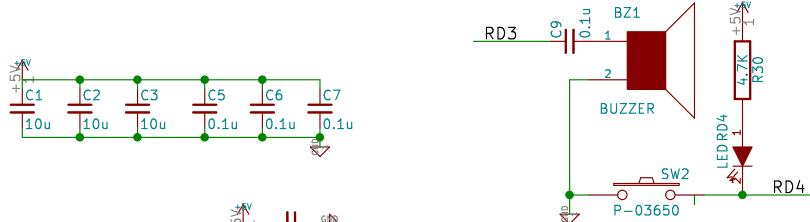
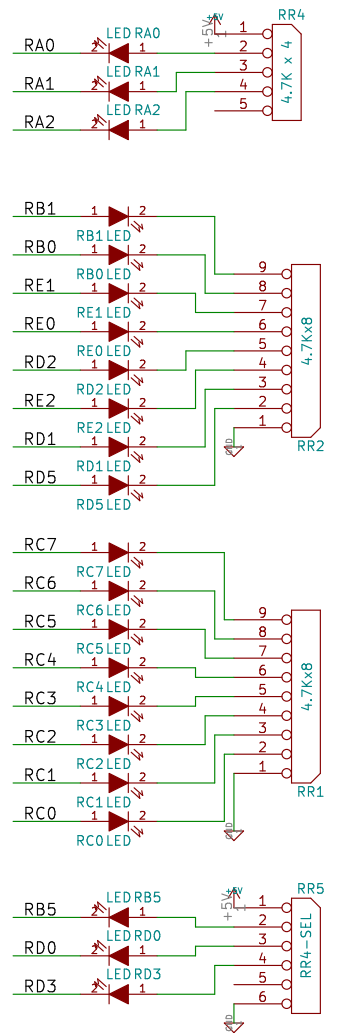


(Ver1.0)

LED-B (RB0)
 LED-R (RB2)
 DCM-IN1 (RE1)
 7SEG-L (RD3)

7SEG-dp
 7SEG-f
 7SEG-d/SM B-
 7SEG-b/SM A-

(Ver1.0 RB4)
 (Ver1.0 RD0)
 (Ver1.0 RD5)



(c) JSD

Sheet: /
 File: PIC18F45K22_CPUBOARD_V21.sch

Title: PIC18F45K22 Control Board

Size: A4 Date: 2016-09-16
 KiCad E.D.A. kicad (5.1.2)-1

Rev: 2.1
 Id: 1/1