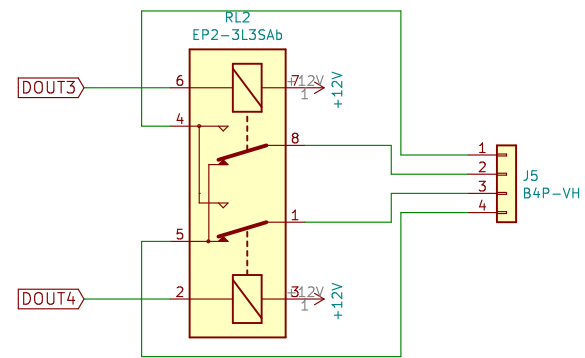
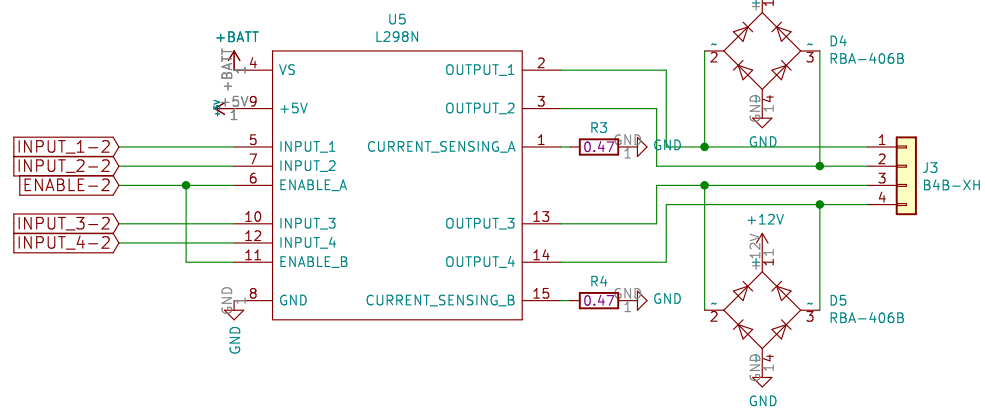
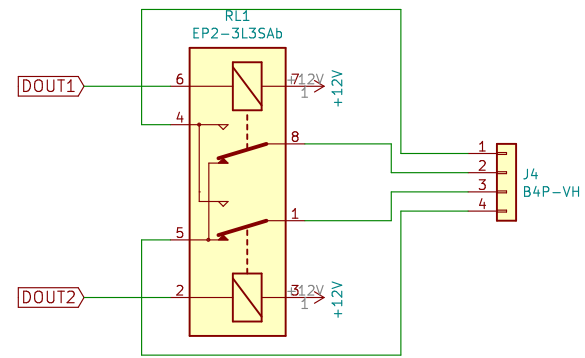
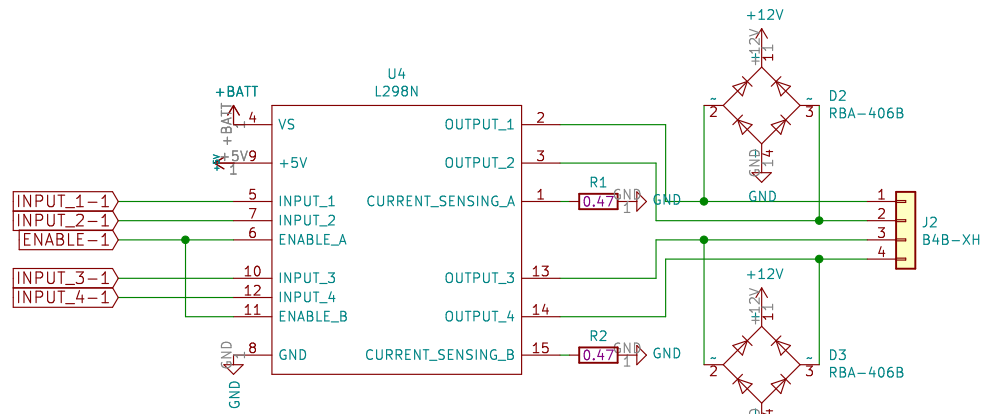


Sheet: MotorDrive
 File: MotorDrive.sch

(c) JSD	
Sheet: /	
File: StepMotorDriveType1-v10.sch	
Title: Step Motor Drive Board	
Size: A4	Date: 2019-05-01
KiCad E.D.A. kicad (5.1.2)-1	Rev: 1.0
	Id: 1/2



Sheet: /MotorDrive/
File: MotorDrive.sch

Title:

Size: A4
KiCad E.D.A. kicad (5.1.2)-1

Date:

Rev:
Id: 2/2